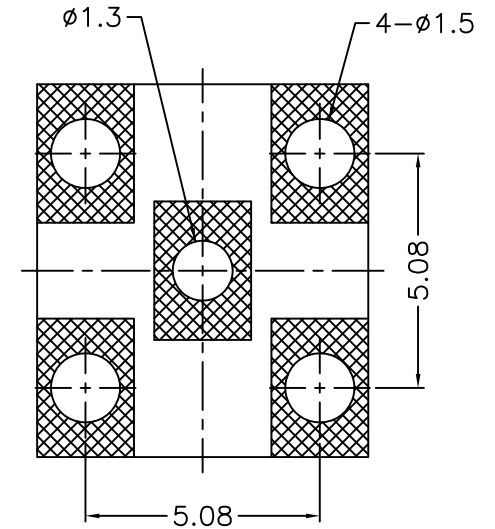
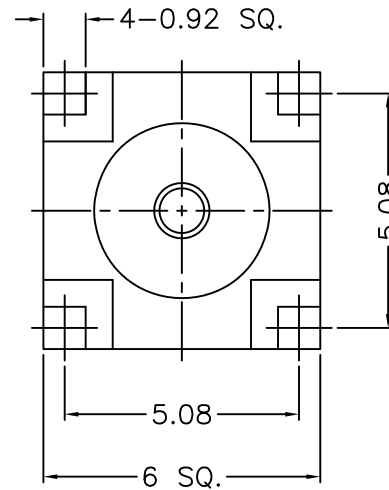
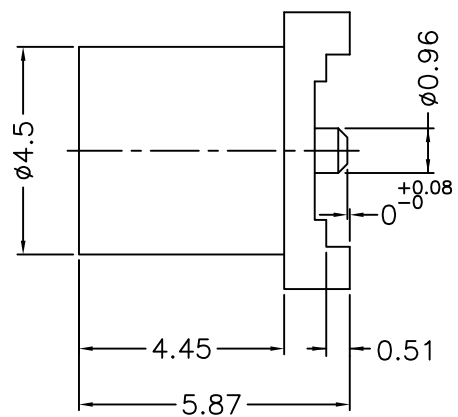


1			2			3			4			5			6			7			8		
REVISIONS																							
ISS	ZONE	DESCRIPTION\PER REQUEST\DATE																					



NOTES: FINISH (PLATING THICKNESS IN MICRO-INCHES)

1. BRASS
2. GOLD PL. 3 MIN. THICK OVER NICKEL PL. 50 MIN. THICK OVER COPPER PL. 50 MIN. THICK
3. BERYLLIUM COPPER
4. TEFLON

RoHS COMPLIANT

3						CONTACT PIN				NOTE 3	NOTE 2	1	400-6251B4-3-75				DIMENSIONS ARE IN MILLIMETERS				PART NO.				G.L.I.																															
2						INSULATOR				NOTE 4	NATURAL	1	400-6251B4-2-75T				UNLESS OTHERWISE SPECIFIED TOLERANCES				APPROVED								DATE				TITLE																							
1						BODY				NOTE 1	NOTE 2	1	400-6251B4-1-75				0.5-6 = ±0.2				DATE				11-02-'15				DRAWING NO.																											
NO.						DESCRIPTION				MATERIAL	FINISH	Q'TY	DRAWING NO.				SCALE				6/1				ISSUE				A				DRAWN				ANGELA				DATE				11-02-'15				FILE NO.				R:\D\G\DWG\400\6251B4\75			

1			2			3			4			5			6			7			8		
---	--	--	---	--	--	---	--	--	---	--	--	---	--	--	---	--	--	---	--	--	---	--	--

F

E

D

C

B

A

F

E

D

C

B

A