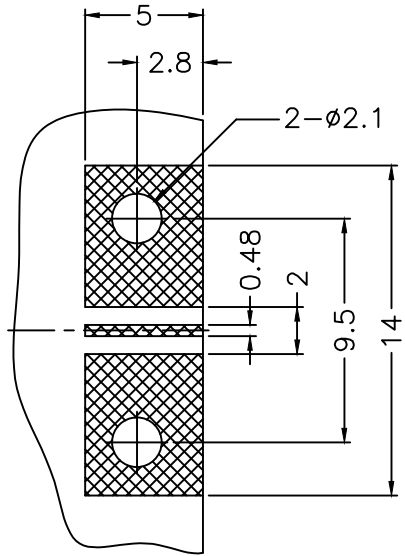


REVISIONS

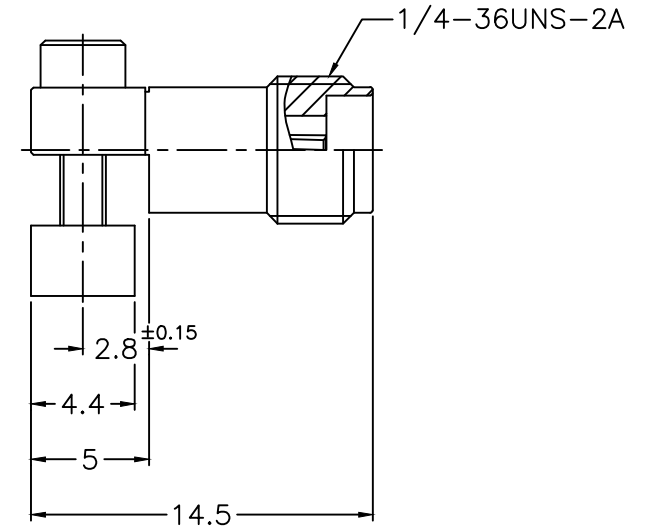
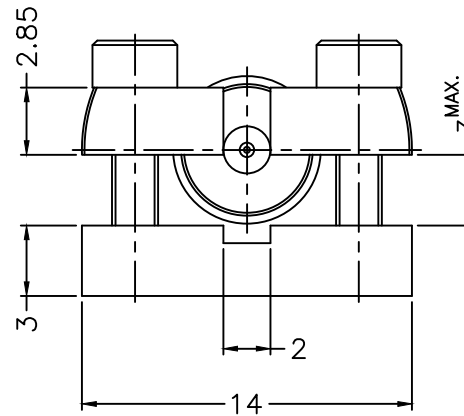
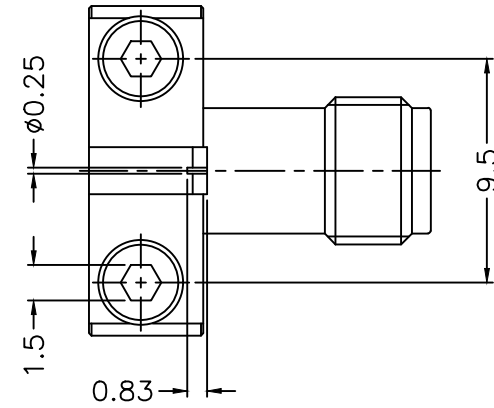
ISS	ZONE	DESCRIPTION\PER REQUEST\DATE



PCB MOUNTING PATTERN  
(印刷电路板架设模型)

NOTES: FINISH (PLATING THICKNESS IN MICRO-INCHES)

1. BRASS
2. BERYLLIUM COPPER
3. GOLD PL. 3 MIN. THICK OVER NICKEL PL. 50 MIN. THICK OVER COPPER PL. 50 MIN. THICK
4. STAINLESS STEEL
5. PASSIVATED
6. PTFE



RoHS COMPLIANT

NO.	DESCRIPTION	MATERIAL	FINISH	Q'TY	DRAWING NO.
7	BOLT				
6	CONTACT BODY				
5	BODY				
4	INSULATOR				
3	LOCK RING				
2	INSULATOR	PEEK	NATURAL		
1	CONTACT PIN				

DIMENSIONS ARE IN MILLIMETERS			
UNLESS OTHERWISE SPECIFIED TOLERANCES			
0.5-6	=	±0.2	
6-30	=	±0.4	
30-120	=	±0.6	
120-315	=	±1	
315-1000	=	±1.6	
1000-2000	=	±2.4	

PART NO.	
APPROVED	DATE 06-21-'22
CHECKED	DATE 06-21-'22
DRAWN	DATE 06-21-'22

<b>G.L.I.</b>	
TITLE	2.92mm END LAUNCH JACK
DRAWING NO.	292-6251A1-50
FILE NO.	R:\D\DWG\292\6251A1\50